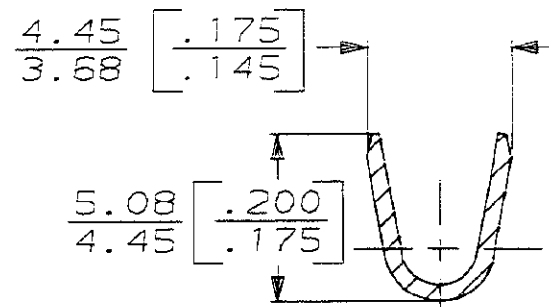
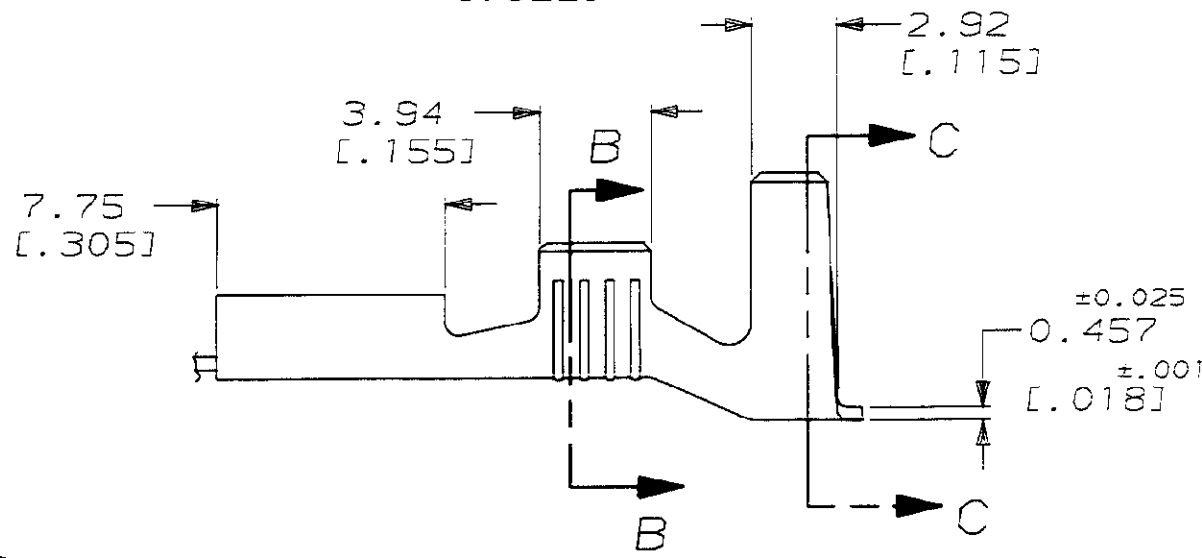


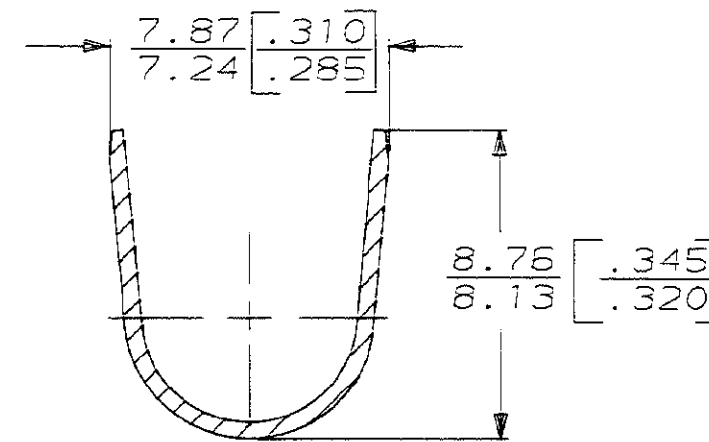
FITS 6.35 [.250] SERIES FASTON TAB

VIEW A-A
SCALE 8:1

CONTINUOUS STRIP ON REELS



SECTION B-B
SCALE 5:1



SECTION C-C
SCALE 5:1



5.33-6.73 [.210-.265] DIA	1.3-3.0mm ² [16-12] AWG	0.813 [.032]	42579-1
INSULATION RANGE	WIRE SIZE	MATING TAB THK ±0.025 [.001]	PART NO
DO NOT SCALE PRINT. UNLESS SPECIFIED DIMENSIONS IN mm [INCHES] TOLERANCES ON: 2 PLC DEC * - 3 PLC DEC * 0.38 [.015] ANGLES * -	DR 4/3/91 JR RUTH CHK 4/3/91 MS FEHER APPD 4/3/91 C MEYERS APPD 4/3/91 D REINER PRODUCT SPEC -	AMP INCORPORATED Harrisburg, Pa. 17105	
MATERIAL T2 STEEL	FINISH NICKEL	NAME RECEPTACLE, FASTON™ 6.35 [.250] SERIES	
	APPLICATION SPEC -	SIZE B	CAGE CODE 00779
	WEIGHT -	DRAWING NO 42579	SCALE 4:1
		SHEET 1 OF 1	